



RX 20 Technical Data Electric Forklift Truck

[RX 20-14](#)

[RX 20-14 Li-Ion](#)

[RX 20-15](#)

[RX 20-15 Li-Ion](#)

[RX 20-16](#)

[RX 20-16 Li-Ion](#)

[RX 20-18](#)

[RX 20-18 Li-Ion](#)

[RX 20-20](#)

[RX 20-20 Li-Ion](#)



RX 20 Electric Forklift Truck
Continuous operation

This specification sheet, which conforms to VDI guideline 2198, provides the technical values for the standard equipment only.
Different tyres, other masts, the use of accessories, etc. may result in other values.

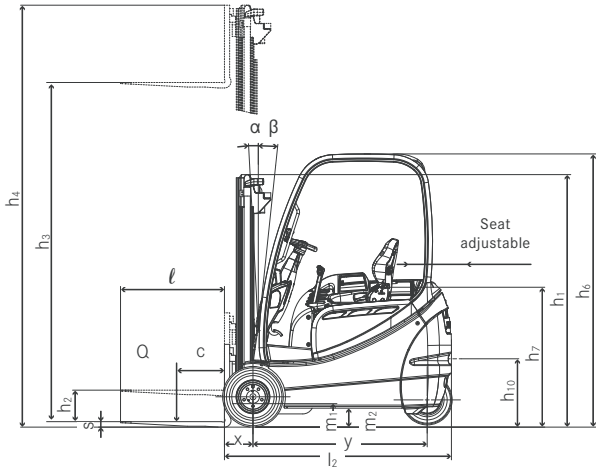


		STILL	STILL	STILL	STILL	STILL	STILL	STILL	STILL	STILL	STILL	
Distinguishing marks	1.1	Manufacturer										
	1.2	Manufacturer's type designation										
	1.2.1	Manufacturer model number										
	1.3	Drive										
	1.4	Operation										
	1.5	Nominal load capacity/load	Q	kg	1400	1500	1600	1600	1800	1800	2000	2000
	1.6	Load centre distance	c	mm	500	500	500	500	500	500	500	500
	1.8	Load spacing	x	mm	355	355	355	355	355	355	365	365
	1.9	Wheel base	y	mm	1341	1341	1341	1410	1441	1448	1540	1469
Weights	2.1	Empty weight (incl. battery)		kg	2736	2763	2884	2916	3044	3343	3212	3225
	2.2	Axle weight with load	front/rear	kg	3577/559	3758/505	3933/550	3915/602	4288/556	4442/701	4667/545	4633/592
	2.3	Axle weight without load	front/rear	kg	1294/1442	1302/1461	1314/1570	1345/1571	1421/1623	1580/1763	1544/1668	1455/1770
Tyres/chassis	3.1	Tyres			Superelastic	Superelastic	Superelastic	Superelastic	Superelastic	Superelastic	Superelastic	
	3.2	Tyre size	front	mm	180/70-8 (18 x 7-8)	180/70-8 (18 x 7-8)	180/70-8 (18 x 7-8)	180/70-8 (18 x 7-8)	200/50-10	200/50-10	200/50-10	
	3.3	Tyre size	rear	mm	125/75-8 (15 x 4 1/2 -8)	125/75-8 (15 x 4 1/2 -8)	125/75-8 (15 x 4 1/2 -8)	150/75-8 (16 x 6-8)	140/55-9	150/75-8 (16 x 6-8)	140/55-9	
	3.5	Number of wheels (x = driven)	front/rear		2x/2	2x/2	2x/2	2x/2	2x/2	2x/2	2x/2	
	3.6	Track width	front/rear	b ₁₀ /b ₁₁	mm	932/168	932/168	932/168	932/865	942/168	942/168	942/168
	Basic dimensions	4.1	Angle of mast/fork carriage	forward/backward	α/β	°	5/6	5/6	5/6	5/6	5/6	5/6
4.2		Height of mast when retracted		h ₁	mm	2160	2160	2160	2160	2160	2160	
4.3		Free lift		h ₂	mm	150	150	150	150	150	150	
4.4		Lift ¹		h ₃	mm	3230	3230	3230	3230	3230	3150	
4.5		Height of mast when extended		h ₄	mm	3805	3805	3805	3805	3805	3805	
4.7		Height above protected roof (cabin)		h ₆	mm	2082	2082	2082	2084	2082	2240	
4.8		Seat height in terms of SIP		h ₇	mm	1015	1015	1015	1015	1015	1173	
4.12		Coupling height		h ₁₀	mm	490	490	490	460	490	490	
4.19		Total length		l ₁	mm	2683	2683	2683	2861	2783	2908	
4.20		Length including fork backs		l ₂	mm	1883	1883	1883	2061	1983	2108	
4.21		Total width		b ₁	mm	1099	1099	1099	1099	1138	1138	
4.22		Fork dimensions		s/e/l	mm	40/80/800	40/80/800	40/80/800	40/80/800	40/80/800	40/80/800	
4.23		Fork carriage ISO 2328, class/form A, B				ISO II/A	ISO II/A	ISO II/A	ISO II/A	ISO II/A	ISO II/A	
4.24		Fork carriage width		b ₃	mm	980	980	980	980	980	980	
4.31		Ground clearance under mast		m ₁	mm	90	90	90	90	90	90	
4.32		Ground clearance centre wheel base		m ₂	mm	123	123	123	123	123	123	
Performance data		5.1	Driving speed (Blue-Q/normal/sprint)	with load	km/h	16/16/20	16/16/20	16/16/20	16/16/20	16/16/20	16/16/20	16/16/20
		5.1	Driving speed (Blue-Q/normal/sprint)	without load	km/h	16/16/20	16/16/20	16/16/20	16/16/20	16/16/20	16/16/20	16/16/20
	5.2	Lifting speed (Blue-Q/normal/sprint)	with load	m/s	0.43/0.43/0.56	0.43/0.43/0.55	0.43/0.43/0.55	0.43/0.43/0.55	0.42/0.42/0.50	0.42/0.42/0.50	0.38/0.38/0.44	
	5.2	Lifting speed (Blue-Q/normal/sprint)	without load	m/s	0.55/0.55/0.60	0.55/0.55/0.60	0.55/0.55/0.60	0.55/0.55/0.60	0.53/0.53/0.58	0.53/0.53/0.58	0.48/0.48/0.55	
	5.3	Lowering speed	with/without load	m/s	0.51/0.47	0.51/0.47	0.51/0.47	0.51/0.47	0.52/0.48	0.52/0.48	0.53/0.49	
	5.5	Drawbar pull	with/without load	N	4500/4600	4500/4600	4500/4500	4500/4500	4300/4500	4200/4500	4200/4500	
Electric engine	5.6	Max. drawbar pull	with/without load	N	12200/7400	12200/7500	12200/7600	12200/7800	11900/8300	11900/9300	11900/9400	
	5.7	Gradeability	with/without load	%	13.5/20.1	12.8/20.1	12.8/20.1	12.7/19.9	11.4/19.0	10.7/18.1	10.5/17.9	
	5.8	Max. gradeability	with/without load	%	28.5/23.0	28.5/26.5	27.4/26.6	27.2/26.6	24.6/26.7	23.0/27.1	22.0/27.0	
	5.9	Acceleration time (Blue-Q/normal/sprint)	with load	s	4.3/4.1/4.1	4.3/4.1/4.1	4.3/4.1/4.1	4.3/4.1/4.1	4.5/4.2/4.2	4.5/4.3/4.3	4.6/4.3/4.3	
	5.9	Acceleration time (Blue-Q/normal/sprint)	without load	s	4.2/4.0/4.0	4.2/4.0/4.0	4.2/4.0/4.0	4.2/4.0/4.0	4.2/4.0/4.0	4.3/4.1/4.1	4.3/4.1/4.1	
	5.10	Service brake				Electric/mechanical	Electric/mechanical	Electric/mechanical	Electric/mechanical	Electric/mechanical	Electric/mechanical	
Misc.	6.1	Drive motor, output with S2 60 min		kW	2 x 5.5	2 x 5.5	2 x 5.5	2 x 5.5	2 x 5.5	2 x 5.5	2 x 5.5	
	6.2	Lifting motor, output with S3 15%		kW	9	9	9	9	9	9	9	
	6.3	Battery according to DIN 43531/35/36 A, B, C, no				DIN 43531 B	DIN 43531 B	DIN 43531 B	DIN 43531 B	DIN 43531 B	DIN 43531 B	
	6.4	Battery voltage	U	V	48	48	48	48	48	48	48	
	6.4.1	Battery capacity K _s		Ah	575 (-625)	575 (-625)	575 (-625)	575 (-625)	575 (-625)	700 (-800)	575 (-625)	
	6.5	Battery weight		kg	856	856	856	856	856	1119	856	
Misc.	6.6	Energy consumption 60 VDI combustion cycles/hour		kWh/h	4.2	4.3	4.4	4.4	4.7	5.2	5.0	
	10.1	Working pressure for accessory equipment		bar	250	250	250	250	250	250	250	
	10.2	Oil volume for accessory equipment		l/min	30	30	30	30	30	30	30	
	10.7	Sound pressure level L _{pAZ} (operator's position) ²		dB(A)	<70	<70	<70	<70	<70	<70	<70	
10.8	Human vibrations: acceleration in accordance with EN 13059		m/s ²	<0.7	<0.7	<0.7	<0.7	<0.7	<0.7	<0.7		
10.8	Trailer coupling, item/DIN type		Bolt									

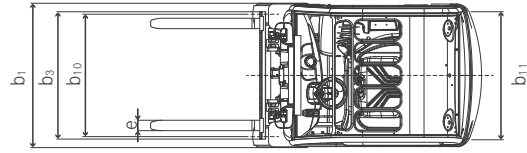
¹ The specified rated lift takes into consideration the tyre deflection and the tolerances of the tyre diameter

² Without cab. Different values with cab

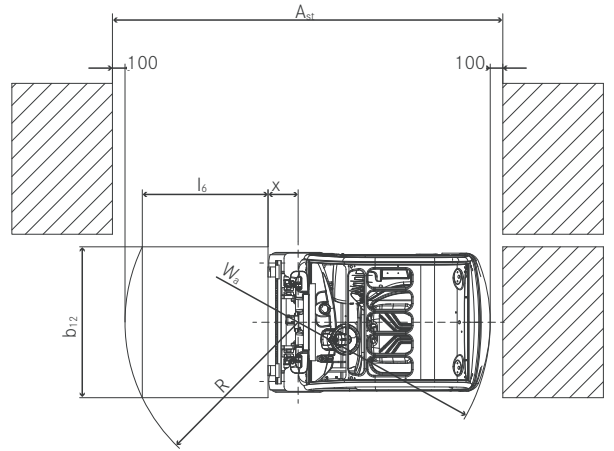
RX 20 Electric Forklift Truck
 Technical Drawings



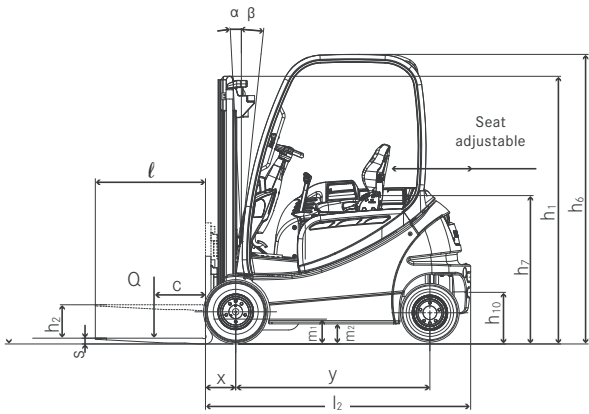
Side view 3-wheel



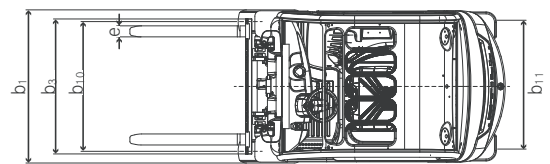
Top view 3-wheel



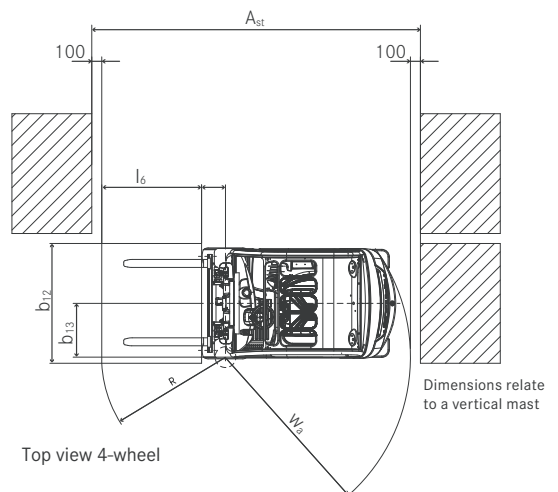
Top view 3-wheel



Side view 4-wheel



Top view 4-wheel



Top view 4-wheel

RX 20 Electric Forklift Truck
Mast Tables

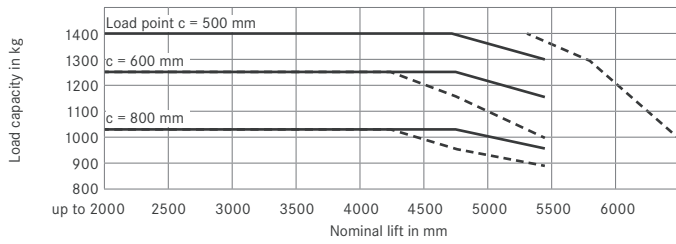


				Telescopic mast		HiLo mast	Triplex mast			
RX 20-14/15/16/ Li-Ion	RX 20-14/15/16/ Li-Ion	Nominal lift	h_3	mm	2830-4230	4730-5430	2975-3975	4320-5220	5620-7870	
		Overall height	h_1	mm	1960-2660	2910-3260	1960-2460	1960-2260	2460-3210	
		Free lift	h_2/h_5	mm	150	150	1362-1862	1362-1662	1862-2612	
		Maximum height	h_4	mm	3473-4873	5273-6073	3593-4593	4938-5838	6238-8488	
		Angle of mast forward/backward	α/β	°	3/8		3/6	3/6		
		Fork lock-in position centre-centre		mm	216/368/445/521/673/670					
		Maximum width	b_1	mm	1099	1188	1099	1099	1188	
	RX 20-14/15/16/ Li-Ion	Total length	l_2	mm	1883		1883	1903		
		Load spacing	x	mm	355		355	375		
		Working aisle width	A_{st}	mm	(1000 x 1200) 3209 (1200 x 800) 3333			(1000 x 1200) 3228 (1200 x 800) 3353		
		Tyres front			18 x 7-8	200/50-10	18 x 7-8	18 x 7-8	200/50-10	
		Tyres rear			15 x 4 1/2-8					
		Track front/rear	b_{10}/b_{11}	mm	932/168	990/168	932/168	932/168	990/168	
		Total length	l_2	mm	2061		2061	2081		
RX 20-16P/ Li-Ion	Working aisle width	A_{st}	mm	(1000 x 1200) 3408 (1200 x 800) 3607			(1000 x 1200) 3428 (1200 x 800) 3627			
	Tyres front/rear			18 x 7-8 / 16 x 6-8						
	Track front/rear	b_{10}/b_{11}	mm	932/865	990/865	932/865	932/865	990/865		
				Telescopic mast		HiLo mast	Triplex mast			
RX 20-18/ Li-Ion	RX 20-18/ Li-Ion	Nominal lift	h_3	mm	2830-4230	4730-5430	2875-3875	4170-5070	5470-7720	
		Overall height	h_1	mm	1960-2660	2910-3260	1960-2460	1960-2260	2460-3210	
		Free lift	h_2/h_5	mm	150	150	1312-1812	1312-1612	1812-2562	
		Maximum height	h_4	mm	3473-4873	5273-6073	3543-4543	4838-5738	6138-8388	
		Angle of mast forward/backward	α/β	°	3/8		3/6	3/6		
		Maximum width	b_1	mm	1138	1188	1138	1138	1188	
		Total length	l_2	mm	1983		1983	2003		
	RX 20-18/ Li-Ion	Load spacing	x	mm	355		355	375		
		Working aisle width	A_{st}	mm	(1000 x 1200) 3309 (1200 x 800) 3433			(1000 x 1200) 3327 (1200 x 800) 3452		
		Tyres front/rear			200/50-10 / 140/55-9					
		Track front/rear	b_{10}/b_{11}	mm	942/168	990/168	942/168	942/168	990/168	
		Total length	l_2	mm	2108		2108	2128		
		Working aisle width	A_{st}	mm	(1000 x 1200) 3439 (1200 x 800) 3638			(1000 x 1200) 3459 (1200 x 800) 3658		
		Tyres front/rear			200/50-10 / 16 x 6-8					
RX 20-18P/h	Track front/rear	b_{10}/b_{11}	mm	942/865	990/865	942/865	942/865	990/865		
				Telescopic mast		HiLo mast	Triplex mast			
RX 20-20/ Li-Ion	RX 20-20/ Li-Ion	Nominal lift	h_3	mm	2750-4150	4630-5330	2870-3870	4165-5065	5665-7915	
		Overall height	h_1	mm	1960-2660	2910-3260	1960-2460	1960-2260	2460-3210	
		Free lift	h_2/h_5	mm	150	150	1405-1905	1405-1705	1905-2655	
		Maximum height	h_4	mm	3325-4725	5225-5925	3445-4445	4755-5655	6255-8505	
		Angle of mast forward/backward	α/β	°	3/8		3/6	3/6		
		Maximum width	b_1	mm	1138	1188	1138	1138	1188	
		Total length	l_2	mm	2092		2092	2114		
	RX 20-20/ Li-Ion	Load spacing	x	mm	365		365	387		
		Working aisle width	A_{st}	mm	(1000 x 1200) 3418 (1200 x 800) 3542			(1000 x 1200) 3438 (1200 x 800) 3563		
		Tyres front/rear			200/50-10 / 140/55-9					
		Track front/rear	b_{10}/b_{11}	mm	942/168	990/168	942/168	942/168	990/168	
		Total length	l_2	mm	2130		2130	2152		
		Working aisle width	A_{st}	mm	(1000 x 1200) 3473 (1200 x 800) 3672			(1000 x 1200) 3495 (1200 x 800) 3694		
		Tyres front/rear			200/50-10 / 16 x 6-8					
RX 20-20P/ Li-Ion	Track front/rear	b_{10}/b_{11}	mm	942/865	990/865	942/865	942/865	990/865		
RX 20-20P/h	Total length	l_2	mm	2118		2118	2140			
	Working aisle width	A_{st}	mm	(1000 x 1200) 3449 (1200 x 800) 3648			(1000 x 1200) 3471 (1200 x 800) 3670			
	Tyres front/rear			200/50-10 / 16 x 6-8						
	Track front/rear	b_{10}/b_{11}	mm	942/865	990/865	942/865	942/865	990/865		

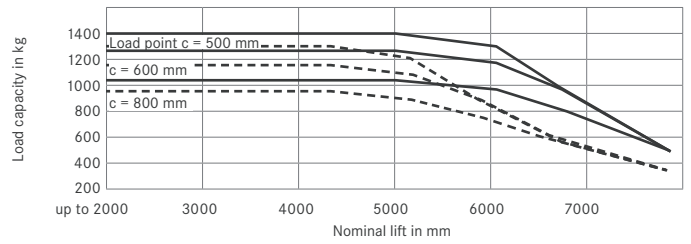
RX 20 Electric Forklift Truck

Basic Load Capacities

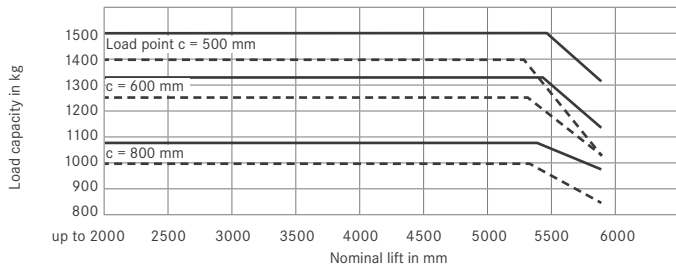
RX 20-14 telescopic/HiLo mast



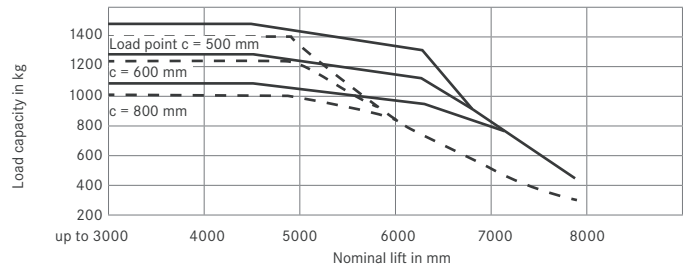
RX 20-14 triplex mast



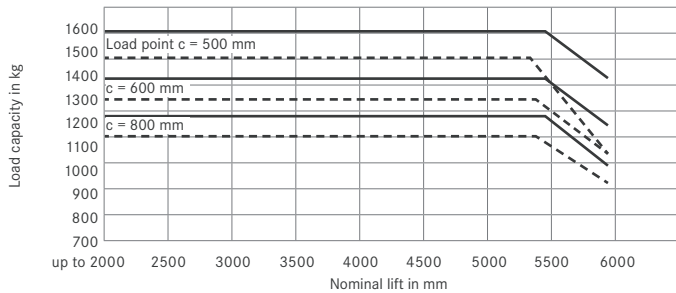
RX 20-15 telescopic/HiLo mast



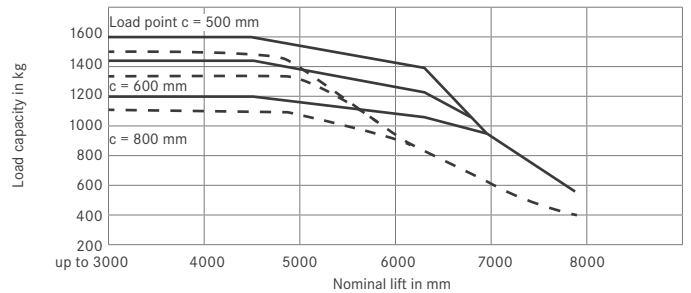
RX 20-15 triplex mast



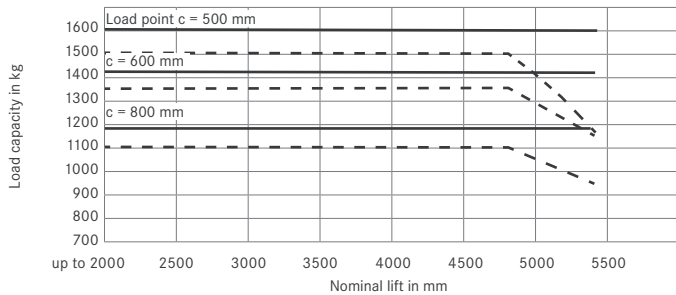
RX 20-16 telescopic/HiLo mast



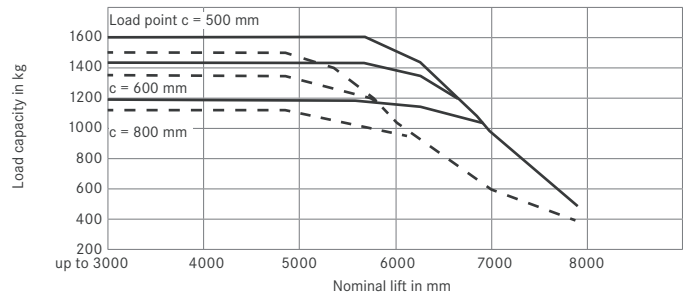
RX 20-16 triplex mast



RX 20-16P telescopic/HiLo mast



RX 20-16P triplex mast



———— Fork carriage - - - - - Fitted lateral slider

Gradients

Maximum distance that can be driven in 60 minutes.

Example: A RX 20-16 with a load of 1600 kg and a gradient of 16.7% can drive a distance of 247 m 10 times per hour.

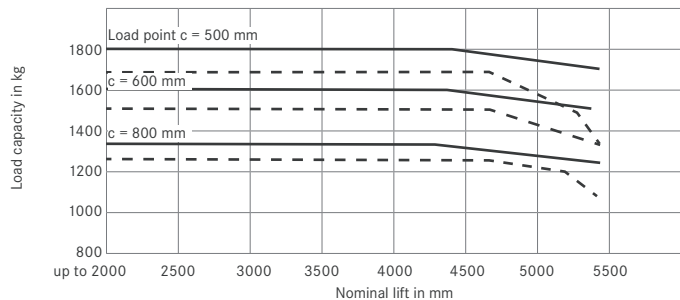
	Gradient	Maximum distance in m			
		RX 20-16	RX 20-16P	RX 20-18P/h	RX 20-20P/h
With load	21.2%	1477	1476	1010	292
	16.7%	2470	2456	1825	1504
	13.0%	4559	4523	3255	2709
	6.0%	10445	10400	9547	8933
Without load	25.5%	2766	2754	1895	1666
	20.1%	4855	4792	3354	3026
	10.5%	10783	10530	9222	8811
	4.7%	20000	20000	20000	20000

Dry rough concrete surface = Coefficient of friction 0.80
Standard battery as indicated in data sheet

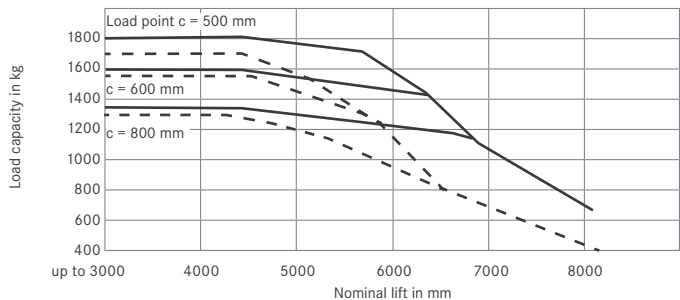
RX 20 Electric Forklift Truck

Basic Load Capacities

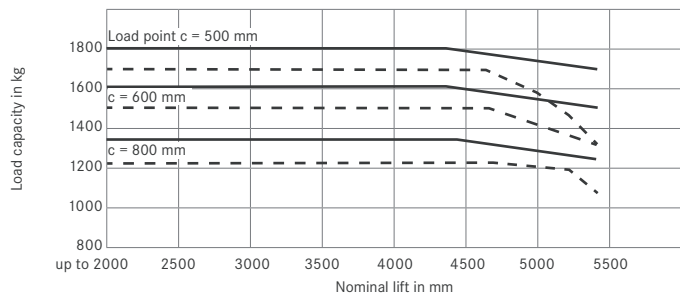
RX 20-18 telescopic/HiLo mast



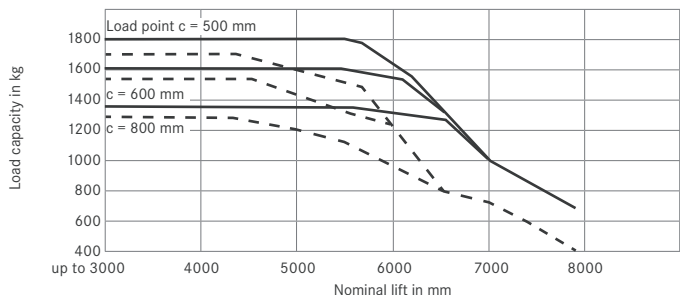
RX 20-18 triplex mast



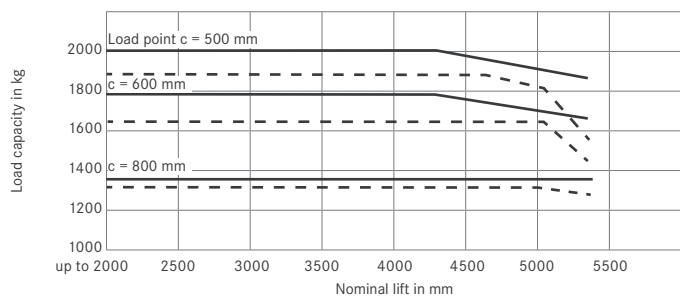
RX 20-18P/h telescopic/HiLo mast



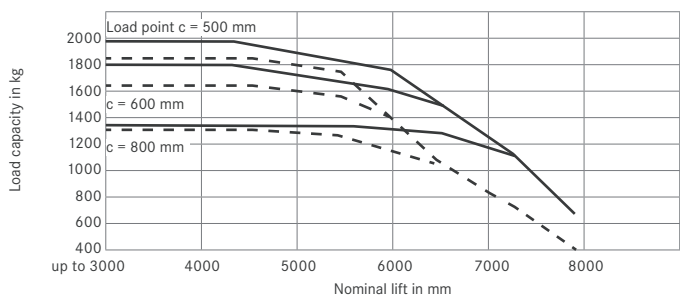
RX 20-18P/h triplex mast



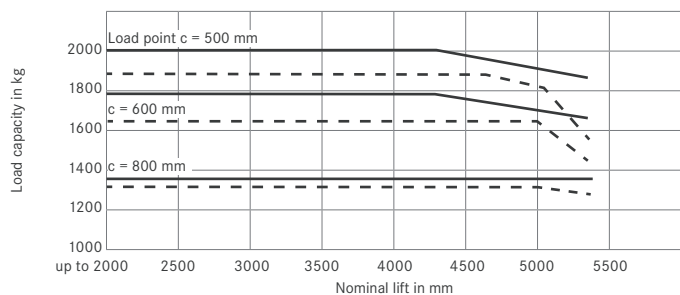
RX 20-20 telescopic/HiLo mast



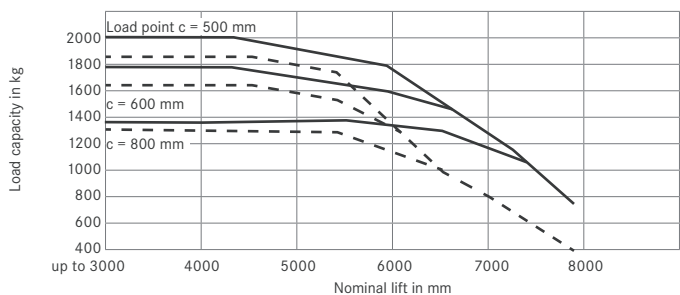
RX 20-20 triplex mast



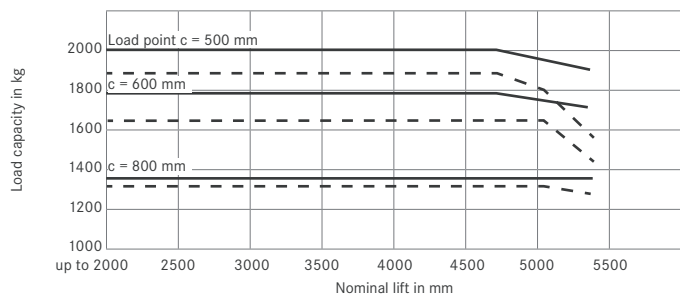
RX 20-20P telescopic/HiLo mast



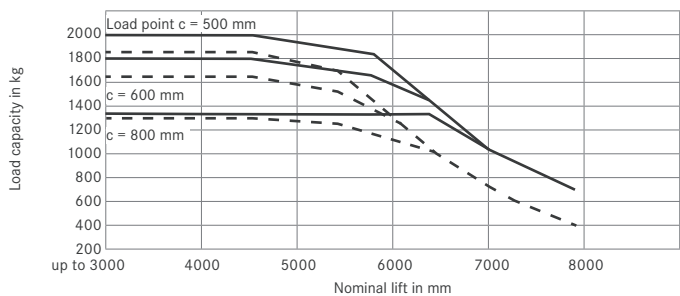
RX 20-20P triplex mast



RX 20-20P/h telescopic/HiLo mast



RX 20-20P/h triplex mast



———— Fork carriage - - - - - Fitted lateral slider

RX 20 Electric Forklift Truck
Detailed Photos



Easy access to driver infos (e.g. display of energy consumption)



Joystick 4Plus with arm rest offers users comfort when working with accessory equipment



Optional LED lighting



Comfortable and high-quality driver's cab



Driver's cab for outdoor use



Quick and easy lateral battery access

RX 20 Electric Forklift Truck
Continuous operation



RX 20 Electric Forklift Truck Continuous operation

Easy availability: lateral battery change

Blue-Q energy saving program

Display showing remaining power and current charge status

Lithium-ion battery ensures excellent availability



RX 20

The best-selling forklift truck of the RX family – with over 50,000 units produced – is now better than ever: following a comprehensive overhaul, this smart electric forklift truck now sets new standards when it comes to the movement of heavy goods weighing between 1.4 and 2 tonnes. What's more, this vehicle has another advantage when it comes to energy usage: never before has it been easier to keep an eye on how much electricity you are using. A display shows you at a glance just how many hours of use the vehicle has left using the current driving program. The RX 20 is a fantastic all-rounder for the fast transport of goods, both over short and long distances, and is ideally suited for combined indoor and outdoor use, making it the perfect forklift truck for a range of applications. This includes drinks, fruit and vegetable storage in the food and drinks industry, as well as applications in printing firms, freight carrier receipt and dispatch of goods and multi-shift operations in the car industry, e. g. for the provision of equipment on production lines.

RX 20 Li-Ion

The RX 20 Li-Ion is an efficient and compact bundle of energy which guarantees optimum availability. Its lithium-ion battery can be charged to 50% in just 30 minutes and allows for easy interim charging of the truck, while the charging process itself is approximately an hour faster than for conventional lead batteries.

What's more, the lithium-ion battery lasts around twice as long as a lead battery, is maintenance free and can be used in a cold store. And it breaks new ground when it comes to safety too: every battery cell is monitored in real time. The RX 20 Li-Ion is the ideal electric forklift truck for extended periods of operation in industrial, trade and logistics applications.

Extensive equipment

Power

- Can lift up to two tonnes with a load centre of 500 mm
- Full power: maintenance-free rotary current drive with 48 Volt technology
- Move goods effectively: driving speeds of up to 20 km/h
- Enough power for multiple-shift use: high battery capacity and lateral battery change
- Perfect performance control: display shows truck's remaining power and current charge status
- Extreme availability: the lithium-ion battery possesses incredible energy and allows for quick and easy interim charging

Precision

- Choose from various driving programs: select maximum turnaround or maximum efficiency
- Adjust to suit every task: speed, acceleration and braking can all be individually set
- Sensitive operation and smooth lifting speed control: state-of-the-art proportional valve technology and intuitive single-pedal operation
- Precise load handling: driver's seat and steering column set to one side giving optimal view past loads

Ergonomics

- Spacious, comfortable driver's cab that can be individually set up and offering numerous storage compartments

- Feel at home: standard, easy-to-use operating concept across the whole RX product line
- Choose from a range of individual control options: multi-lever, mini-lever, Fingertip or Joystick 4Plus

Compactness

- Ideal for use in small spaces: compact vehicle dimensions and extreme manoeuvrability allow for operation in narrow aisles
- Narrow truck frames enable efficient block forklifting
- Lithium-ion variants provide double the energy at the same battery volumes

Safety

- Perfect all-round safety: large viewing window allows vision on all sides, including the overhead guard
- Outstanding driving stability when turning

Environmental Responsibility

- Low operational costs: low energy consumption and long maintenance intervals (1000 operating hours)
- Blue-Q efficiency mode allows energy savings of up to 20 percent at the press of a button with no loss of performance
- Over 95 percent of all installed materials are recyclable

RX 20 Electric Forklift Truck

Equipment Variants



		RX 20-14/-15/-16/ -16P/-18/-20/-20P	RX 20-14/-15/-16/ -16P/-18/-20/-20P Li-Ion	RX 20-18P/h/ -20P/h
Driver's cab	Operating costs kept low thanks to low energy consumption in all operating cycles and long operating intervals	●	●	●
	Dual-pedal control	○	○	○
	Weather-protected, canvas or full cab	○	○	○
	Drive-in overhead guard with makrolon roof	○	○	○
	Driver cab suitable for container loading (height: approx. 2154 mm)	○	○	—
	Tinted front windscreen, rear and roof windows made of either green-tinted or makrolon laminated safety glass, plus windscreen wiper and wash system	○	○	○
	Built-in storage and drink holder	●	●	●
	Splash-proof operating unit featuring display and function buttons	●	●	●
	Pad with clipboard (removable)	○	○	○
	Grammer MSG 65 leatherette cover	●	●	●
	Textile cover, airsprung, leatherette cover, lumbar support, height-adjustable back extension, heated seat	○	○	○
	Swivel seat can be rotated 20 degrees to the right	○	○	○
	Grab handle on protected roof	●	●	●
	Horizontal spring plate for driver's seat to minimise human vibrations	○	○	○
	Document pocket on the seat back	○	○	○
	Roof liner with interior lighting	○	○	○
	Radio/MP3 player with USB connection	○	○	○
	Protective sunshade and sun blind	○	○	○
	Electrical heating 1500 W incl. defrosting blaster	○	○	○
	Adjustable roof window for instant cabin ventilation	○	○	○
Cold storage version, display and hydraulic oil can be used up to -30 °C	○	○	○	
Mast	Free view mast available in tele, HiLo and triplex versions	○	○	○
	Load backrest	○	○	○
	Mast vertical position	○	○	○
	Hydraulic accumulator in the lifting cylinder to attenuate thrust seats in the hydraulic system	○	○	○
	Bellows protect the tilt cylinder from dust and moisture	○	○	○
	Stroke shut-off via push button	○	○	○
Tyres	Fork wear protection	○	○	○
	Superelastic, single tyres, SIT system	●	●	●
Hydraulics	Superelastic, single tyres, natural colours, SIT system	○	○	○
	Noise-optimised hydraulic pump	●	●	●
	Proportional valve technology for especially sensitive movements	○	○	○
	Individual parametrisation options for hydraulic functions	○	○	○
	Multi-lever operation	●	—	●
Drives	Mini-lever with armrest, 2, 3 or 4 levers	○	○	○
	Fingertip	○	○	○
	Joystick	○	●	○
	5 driving programs	●	●	●
	Blue-Q energy saving mode	●	●	●
Brake	Display showing energy consumption and remaining driving time based on current charge	●	●	●
	Maintenance-free drives for driving, steering and lifting; components enclosed to protect against dust and moisture	●	●	●
	Operating hours counter only operational with drive and lifting motor	●	●	●
	Wear-free disc brakes that run in an oil bath	●	●	●
Safety	Energy recovery when braking	●	●	●
	Mechanical parking brake	●	●	●
	Electromechanical parking brake	○	○	○
	Low centre of gravity and steering axle with high self-aligning bearing for optimum levels of safety	●	●	●
	Protective grille roof	○	○	○
	EasyBelt restraint system for quick and safe fastening and unfastening	○	○	○
	Sauermann restraint system model HRS-E/ERS or IWS restraint system with left-located strap opening	○	○	○
	Headlights and LED lighting performance	○	○	○
	Driver-adjusted speed limiter	●	●	●
	STILL Safety Light warning device, illuminated blue	○	○	○
	Assistance system (ATC - Assistance Truck Control): safe exit/parking and seat belt control	○	○	○
Assistance system (ATC - Assistance Truck Control): speed limiter controlled by steering angle	○	○	○	
Assistance system (ATC - Assistance Truck Control): speed limited when fork carrier is raised	○	○	○	
Load measuring with ±2% precision	○	○	○	
Panoramic mirror	○	○	○	
Direction can be changed both left- and right-handed via mini-console	○	○	○	
FleetManager: access authorisation, shock detection, reports, OptiTruck	○	○	○	

● Standard ○ Optional — Not available

STILL



STILL Materials Handling Ltd
Aston Way
Leyland Preston
PR26 7UX
Tel.: +44 (0)845 603 6827

STILL Materials Handling Ltd
Jacks Way
Hill Barton
Business Park
Clyst St. Mary
Exeter
EX5 1FG
Tel.: +44 (0)345 603 6827

info@still.co.uk

For further information please visit:

www.still.co.uk



STILL is certified in the following areas: Quality management, occupational safety, environmental protection and energy management.



first in intralogistics